

Gemco 3001 Adjustable Couplings



3/4" drive couplings

SPROCKET
DRIVE

Cat. No. 3001-3



DIRECT
DRIVE

Cat. No. 3001-4



1/2" drive couplings

SPROCKET
DRIVE

Cat. No. 3001-1



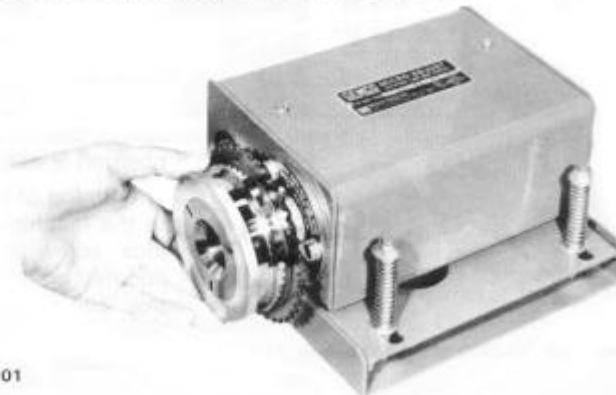
DIRECT
DRIVE

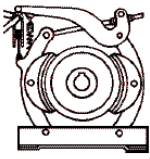
Cat. No. 3001-2

adjustable couplings for presses

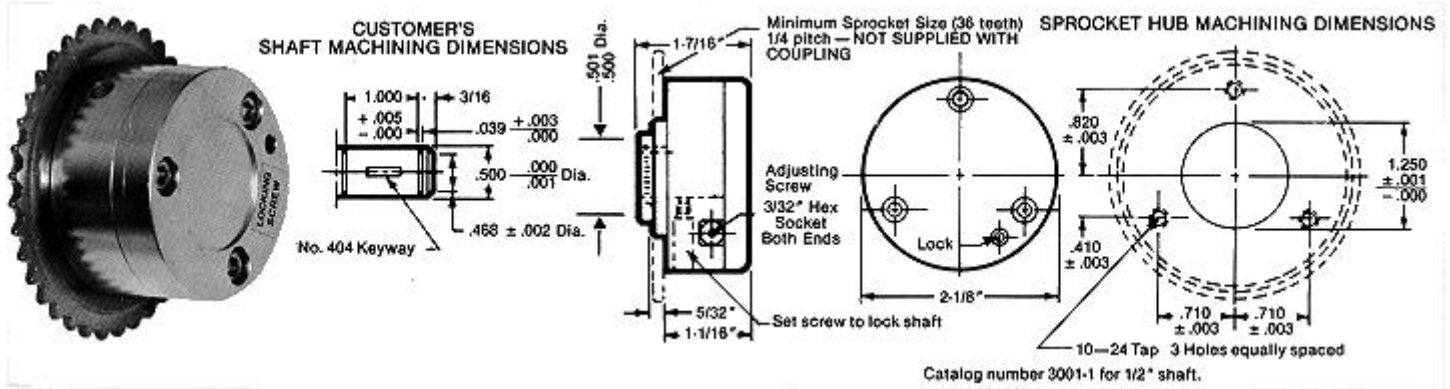


Cat. No. 3001-101

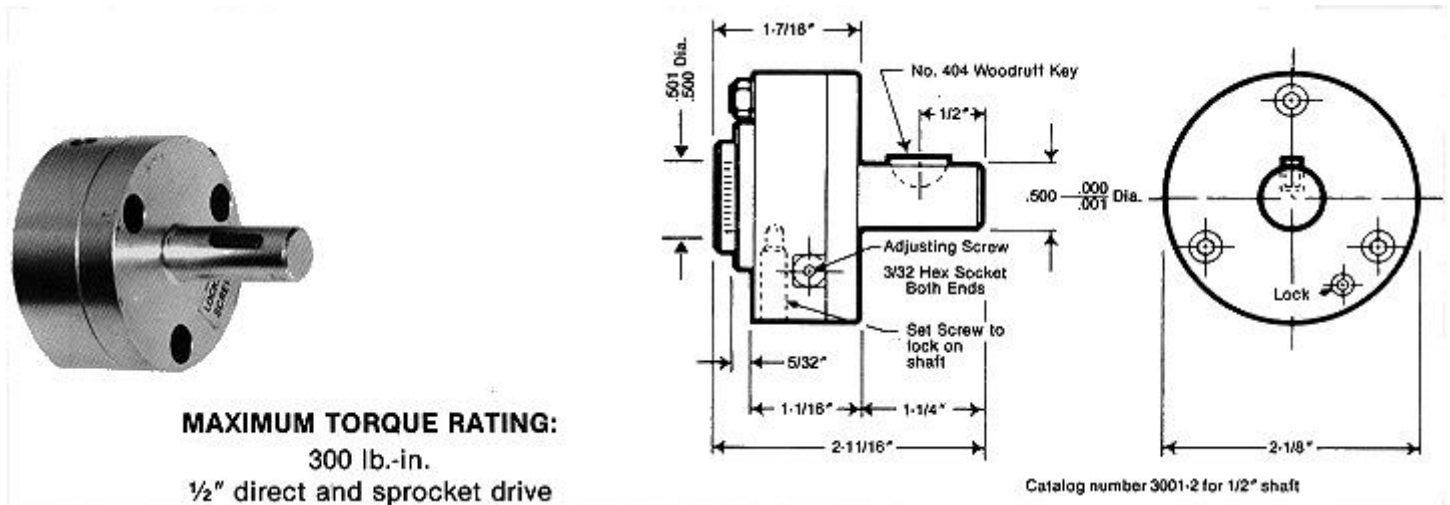




1/2" spocket drive coupling

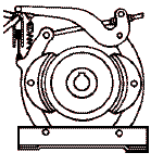


1/2" direct drive coupling

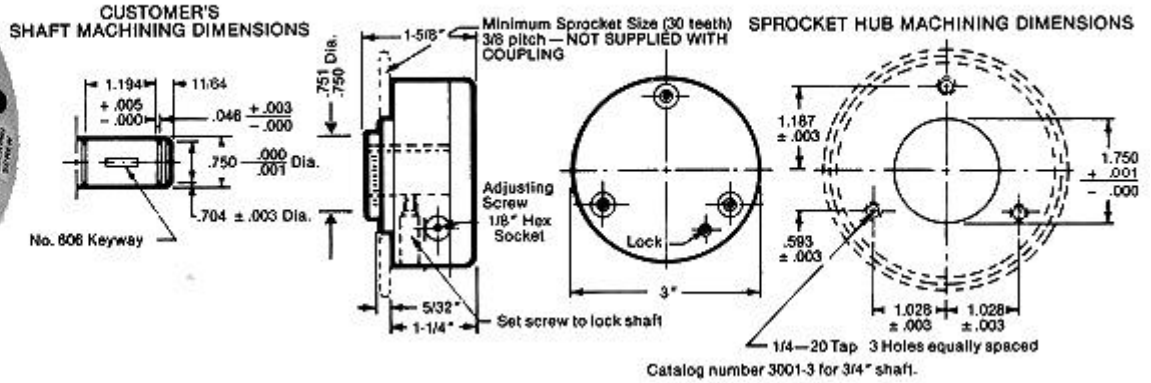


Rotary Limit Switch

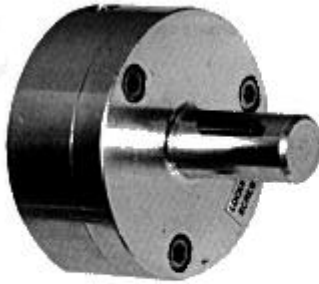
The 1/2" Adjustable Coupling was designed for use with Rotary Limit Switches. The Direct and Sprocket Drive Adjustable Couplings are Gemco's answer to one-stop switch adjusting. With just a turn of a screw, the coupling can be readjusted to whatever position is desired. The timing of the Rotary Limit Switch, with respect to the machine, may be changed by loosening the lock screw and rotating the adjustment screw (located on the outer diameter) in the desired direction with an Allen wrench. Fifty turns of the adjustment mechanism will rotate the Drocket on the adjustable coupling 360°.



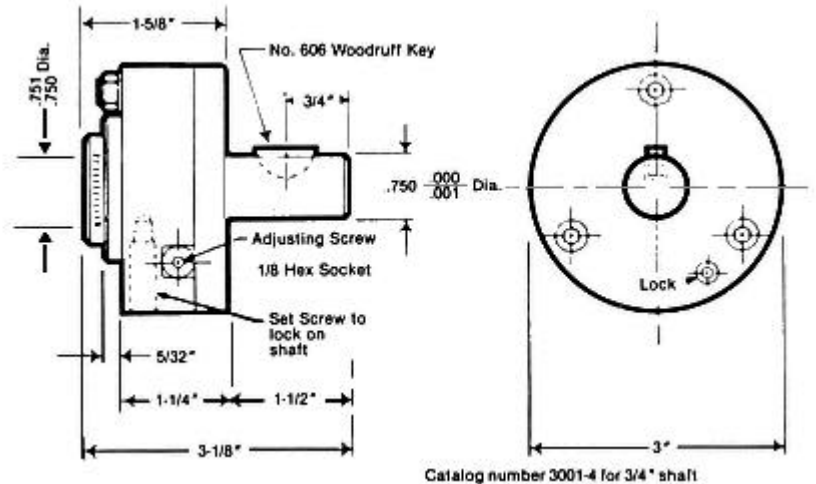
3/4" spocket drive coupling



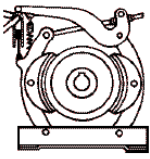
3/4" direct drive coupling



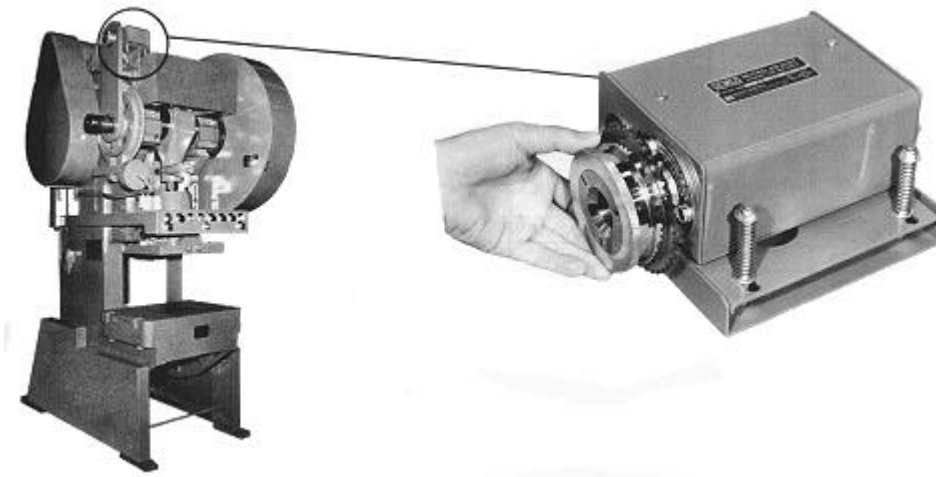
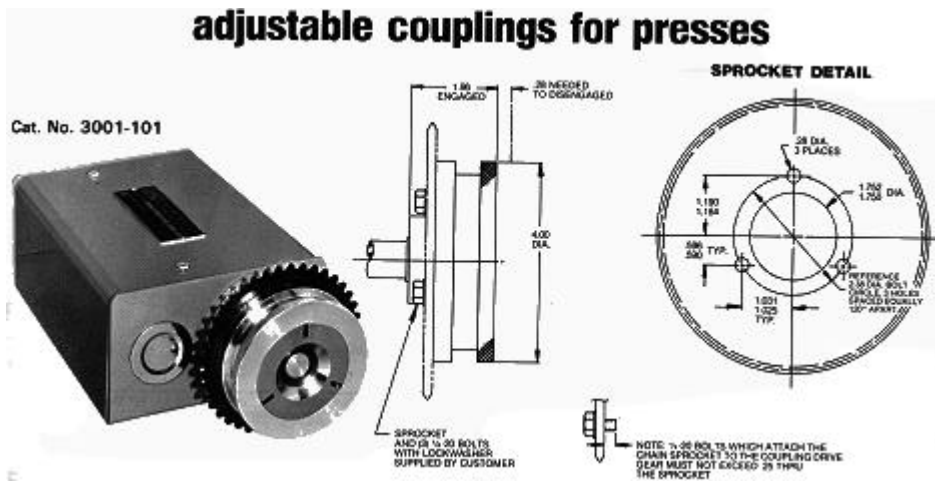
MAXIMUM TORQUE RATING:
785 lb.-in.
3/4" direct and sprocket drive.



The 3/4" Adjustable Coupling was designed for use with Rotating Cam Limit Switches, Rotary Limit Switches and Rotary Air Valve Operators. The Adjustable Coupling (either direct or sprocket drive) is placed on the shaft extending from the Rotating Cam Limit Switch. The coupling is, in turn, connected to the machine by means of a chain or one of various couplings. The timing of the Rotating Cam Limit Switch, with respect to the machine, may be changed by loosening the lock screw and rotating the adjustment screw (located on the outer diameter) in the desired direction with an Allen wrench. Fifty turns of the adjustment mechanism will rotate the sprocket on the adjustable coupling 360°.

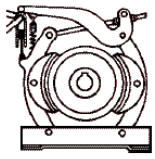


adjustable couplings for presses



ADJUSTABLE COUPLING FOR PRESSES

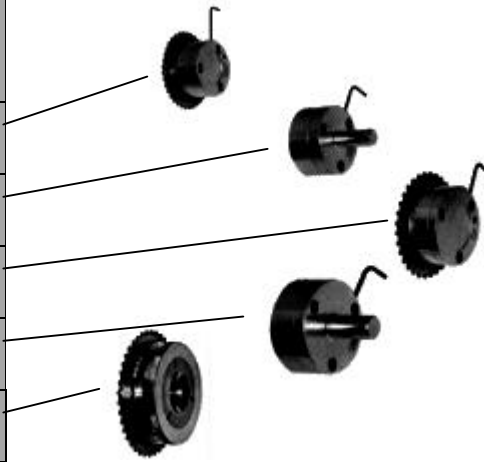
The Catalog No. 3001-101 Adjustable Coupling can be quickly attached to any Gemco Rotating Cam Limit Switch (Catalog Section 1980 and 1981). This coupling provides means of changing the relative position between the cam shaft and the driving sprocket, in 50 increments. This coupling provides quick adjustment on presses where the top stop changes as a function of press speed, counter balance, etc.



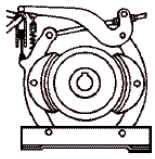
BRAKE PRODUCTS INCORPORATED™

Supplier of Industrial Brake Parts Since 1985

Catalog Number	Description	
3001-1	1/2" Spocket Dr.	
3001-2	1/2" Coupling Dr.	
3001-3	3/4" Spocket Dr.	
3001-4	3/4" Coupling Dr.	
3001-101	3/4" Shaft Size	

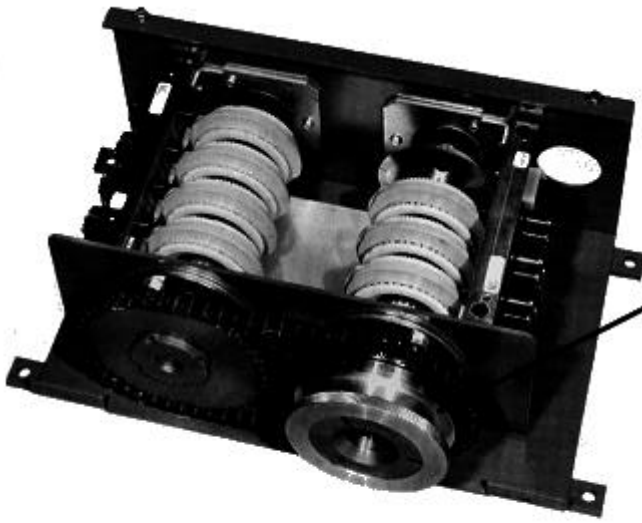


No. of Teeth	1/2" Single		1/2" Double		3/4" Single		3/4" Double	
	Part		Part		Part		Part	
30					**M-862-A		M-886-B	
32					**M-863-A			
35					**M-864-A			
36	M-855-A		M-879-B		**M-866-A		M-887-B	
40	M-856-A		M-880-B		*M-867-A			
42					*M-868-A		M-888-B	
45	M-857-A		M-881-B		*M-869-A			
48	M-858-A		M-882-B		*M-870-A		M-889-B	
54	M-859-A		M-883-B		*M-871-A			
60	M-860-A		M-884-B		*M-872-A		M-890-B	
70					*M-873-A			
72	M-861-A		M-885-B		*M-874-A		M-891-B	
80					*M-875-A			
84					*M-876-A			
96					*M-877-A		M-892-B	
102							M-893-B	
112					*M-878-A		M-984-B	

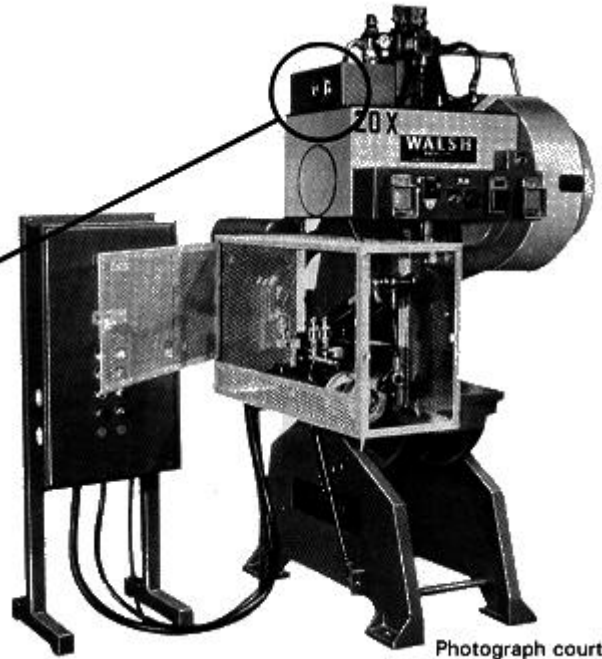


BRAKE PRODUCTS INCORPORATED™

Supplier of Industrial Brake Parts Since 1985



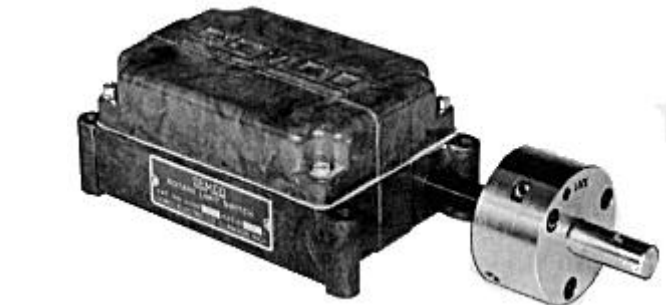
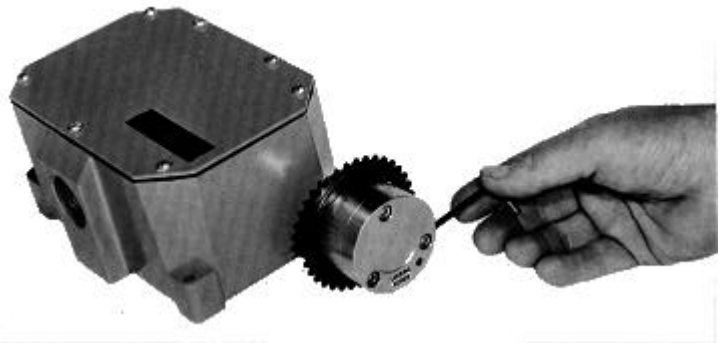
Gemco Rotating Cam Limit Switch with the 3001-101 Adj. Coupling.



Photograph courtesy of Walsh Press Co.



Special Manual Adj.-In-Motion Coupling coupled to a 16 circuit Nema 12 Rotating Cam Limits Switch.



2000/2004 Rotary Limit Switches with the 1/2" Spocket Drive and 1/2" Direct Drive Couplings.