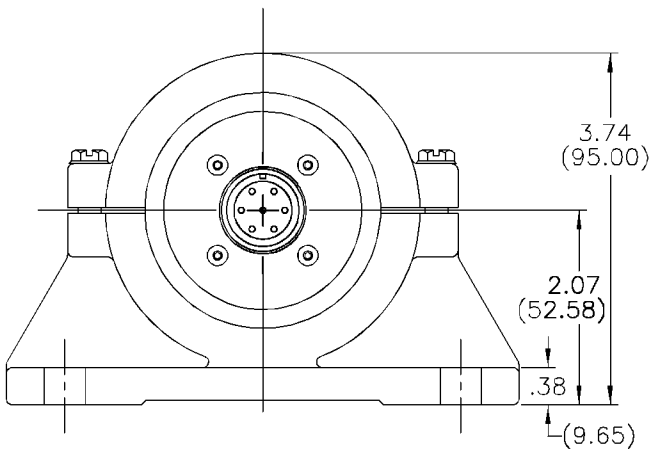


REVISION		DATE	BY
REV.	DESCRIPTION		
G	.7490 WAS .7495	4/22/94	WAK
H	ADDED SURFACE FINISH NOTE TO TITLE BLOCK AND CHANGED COMPANY LOGO	10/16/96	P. KAPTUR



NOTE: DIMENSIONS IN BRACKETS (XXX) ARE MILLIMETERS

THIRD ANGLE PROJECTION	THIS DRAWING OR MATERIAL IS SUBMITTED TO YOU IN TRUST AND CONFIDENCE AND IS UNDERSTOOD THAT THE MATERIAL SHALL NEVER BE USED IN ANY MANNER DETRIMENTAL TO OUR COMPANY.	DR.	TITLE	
		DATE 1/21/93	DIMENSION DRAWING	
SURFACE FINISH 63 UNLESS OTHERWISE SPECIFIED		APP.	PROGRAMMABLE LIMIT SWITCH TRANSDUCER	
TOLERANCE ALLOWANCE UNLESS OTHERWISE SPECIFIED:		DATE	DRAWING NO.	REV.   SIZE
+/- 0.010 ON 2 PLACE DECIMALS		SCALE	D0118300	H   B
+/- 0.005 ON 3 PLACE DECIMALS		3/4		
+/- 0.0005 ON 4 PLACE DECIMALS				
+/- 30 MIN. ON ALL ANGLES				