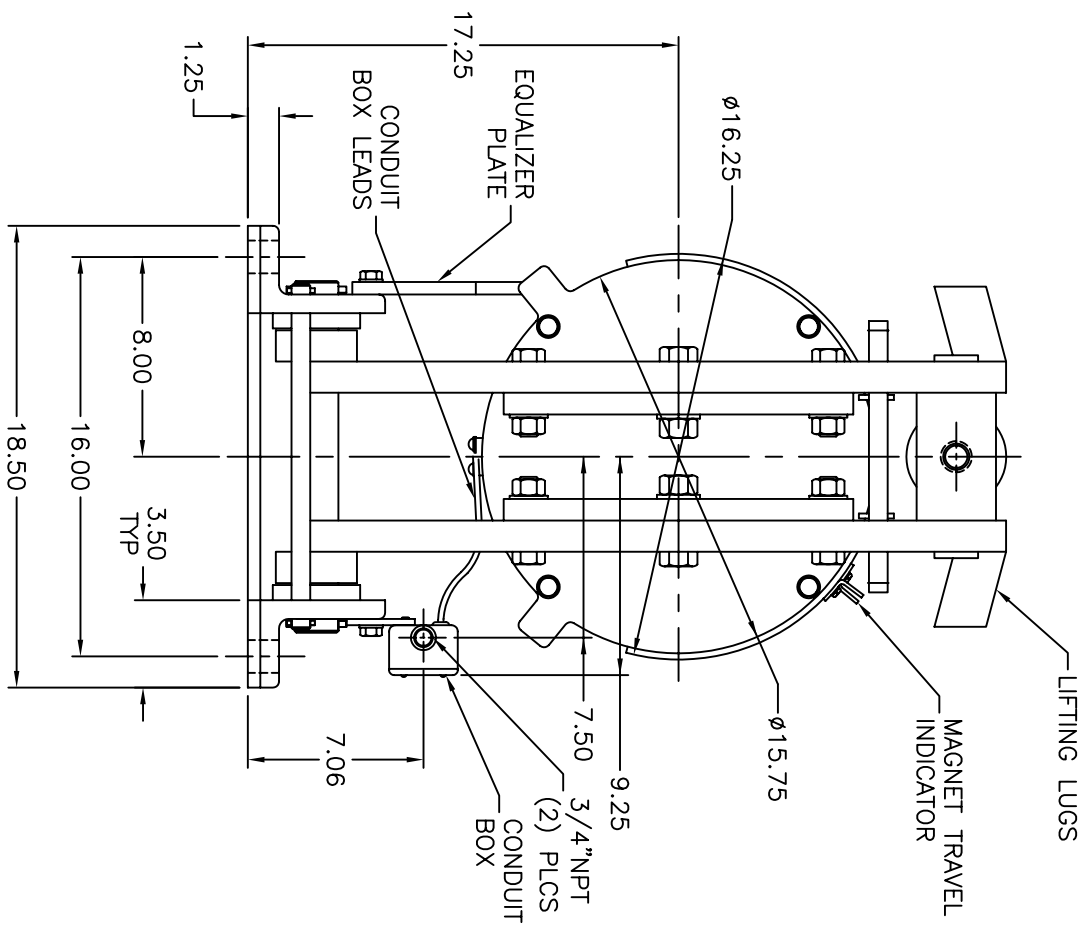
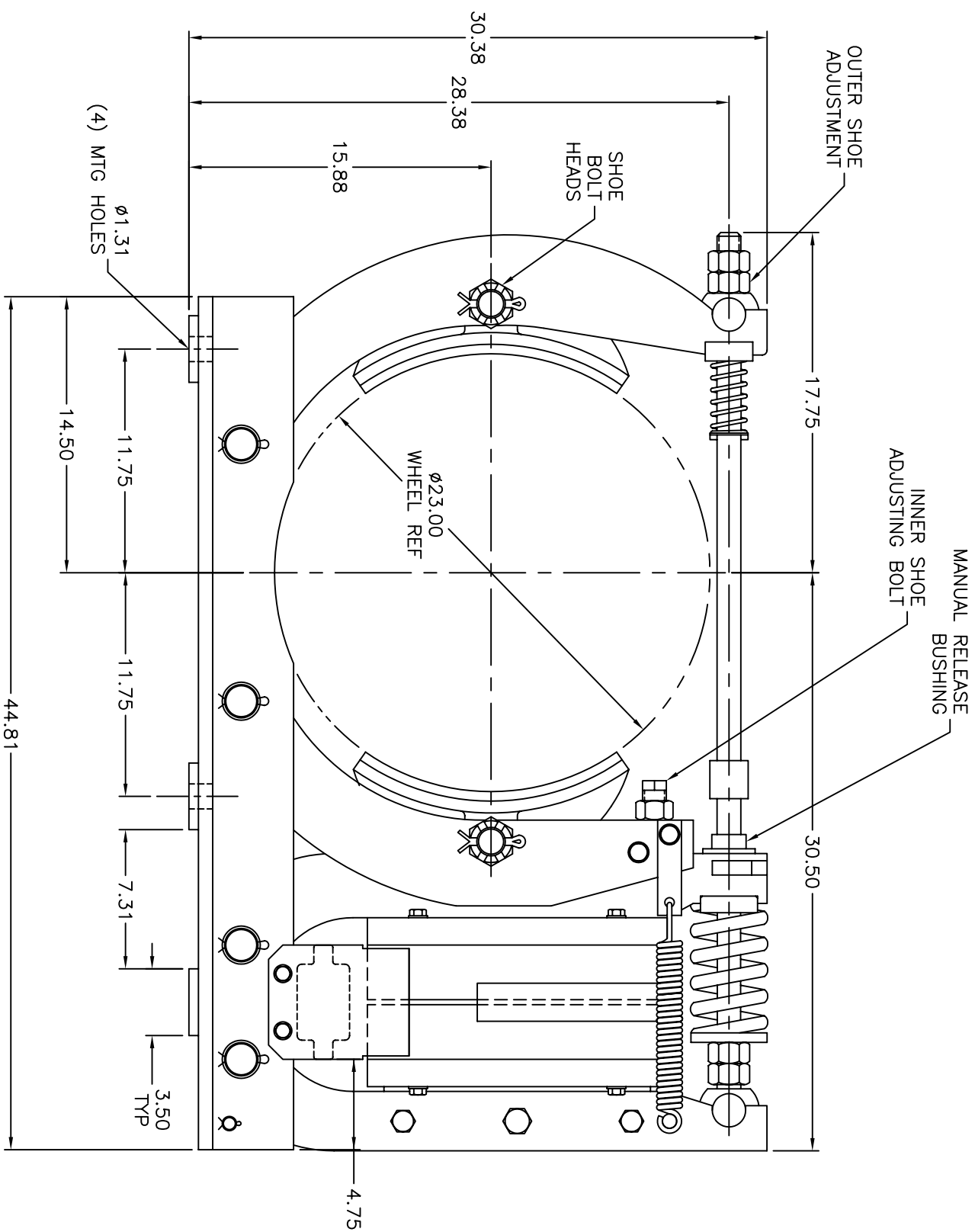
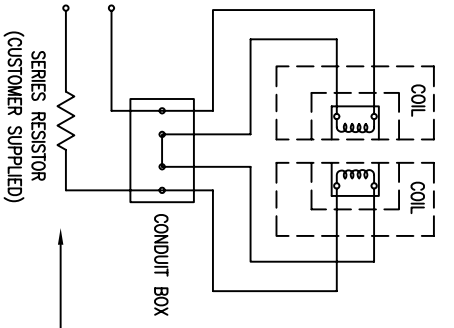


REV.	DESCRIPTION	REVISION	DATE	BY
C	UPDATED DRAWING BORDER		03/09/06	J.S.B.



WIRING DIAGRAM
- SHUNT COIL -



NON-STANDARD TORQUE RATINGS:	
TORQUE LB.FT.	MAIN SPRING LENGTH (INCHES)
2600	8.38
3000	8.31

COIL DATA - SHUNT OPERATION	
CONTINUOUS OPERATION	INTERMITTENT OPERATION
VOLTS DC 32 VDC	40 VDC
AMPS 5.2 AMPS	6.54 AMPS
RESISTOR REQ'D 250VDC	35.6 OHMS 26.1 OHMS

NOTES:

1. STANDARD TORQUE RATING: 4000 LB.FT. (MAIN SPRING LENGTH OF 8.13")
2. NORMAL MAGNET TRAVEL: .16"
3. WEIGHT OF BRAKE W/O WHEEL: 1200 LBS.
4. STANDARD RIGHT HAND MOUNTING SHOWN. FOR LEFT HAND MOUNTING, POSITIONS OF CONDUIT BOX, EQUALIZER PLATE, AND SHOE BOLT HEADS ARE REVERSED.

THIRD ANGLE PROJECTION	DR. J.S.B.	TITLE
SURFACE FINISH 63 UNLESS OTHERWISE SPECIFIED	DATE 04/24/91	DIMENSION DRAWING
TOLERANCE ALLOWANCE UNLESS OTHERWISE SPECIFIED: +/- .0010 ON 2 PLACE DECIMALS +/- .0005 ON 3 PLACE DECIMALS +/- .30 MM. ON ALL ANGLES	DATE	TM2311 BRAKE
COPYRIGHT © 2006 AMETEK AUTOMATION & PROCESS TECHNOLOGIES. UNAUTHORIZED USE, REPRODUCTION OR DISTRIBUTION IS STRICTLY PROHIBITED BY FEDERAL LAW.	SCALE 3/16	DRAWING NO. E023123001
AMETEK AUTOMATION & PROCESS TECHNOLOGIES Clawson, MI 48017 U.S.A.	REV. 1 SIZE C	REV. 1 SIZE C