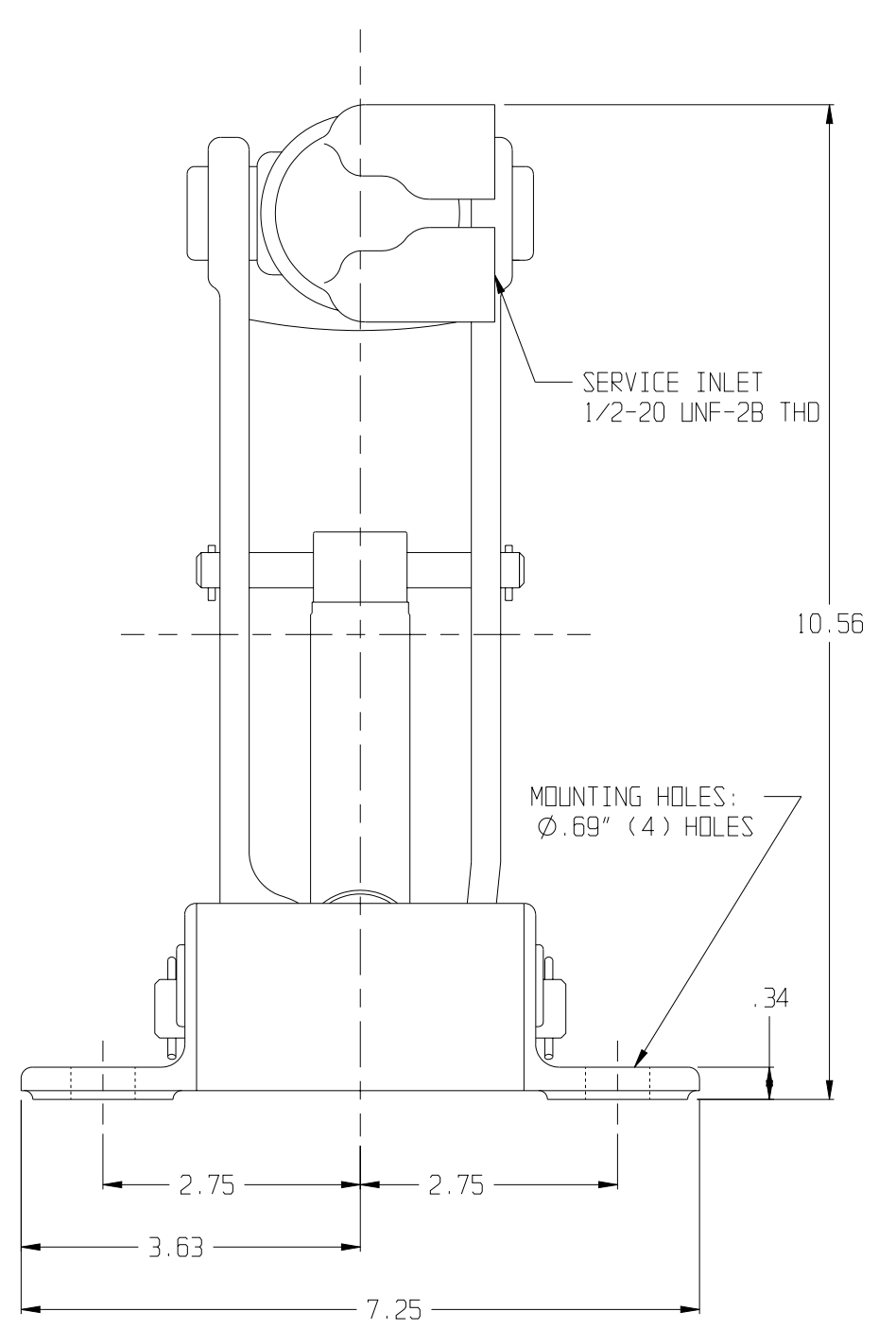
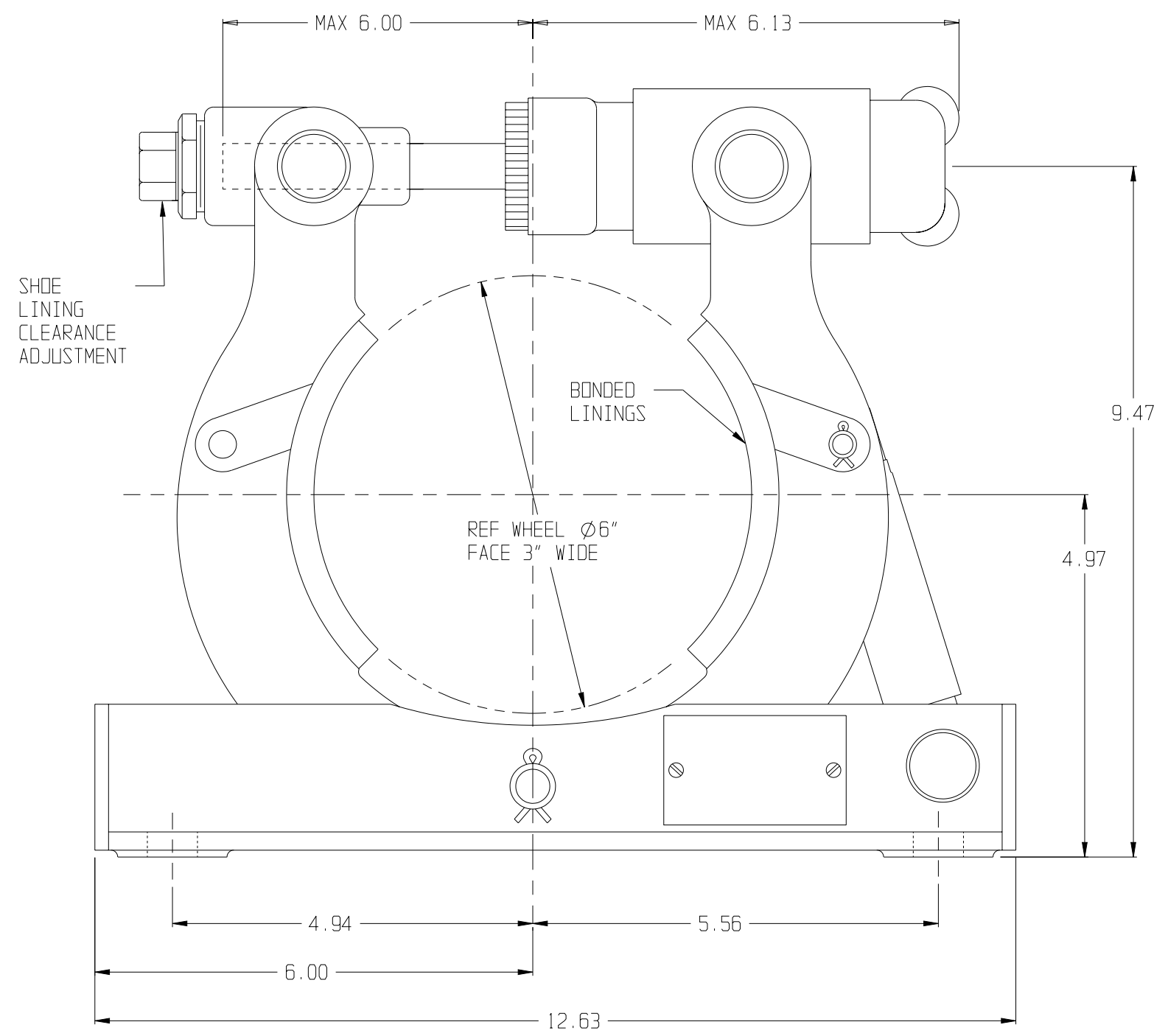


| REVISIONS | | | |
|-----------|-------------|------|----|
| REV | DESCRIPTION | DATE | BY |
| | | | |



NOTES:

- BRAKE WEIGHT W/O WHEEL: 26 LBS.
- FINISH: GRAY PRIMER.
- ALL DIMENSIONS ARE APPROXIMATE UNLESS OTHERWISE NOTED.

| | | | | |
|--|--|----------------------------------|--|-------------------------------|
| THIRD ANGLE PROJECTION | This drawing or material is submitted to you in trust and confidence and is understood that the material shall never be used in any manner detrimental to our company. | DR: AMB DATE: 6/28/95 APP: | TITLE DIMENSION DRAWING 6" BRAKE TYPE H J023020 | |
| | PATRIOT Sensors & Controls Corporation 6380 BROCKWAY ROAD PECK, MICHIGAN 48466 | DATE: 3/4 SCALE: | DRAWING NO. PD-0072800 | REV. <input type="checkbox"/> |
| TOLERANCE ALLOWANCE UNLESS SPECIFIED +/- .010 IN 2 PLACE DECIMAL +/- .005 IN 3 PLACE DECIMAL +/- .0005 IN 4 PLACE DECIMAL +/- 0°30' ON ANGLE | F.O. NO. 8070 | | S.O. NO. | |