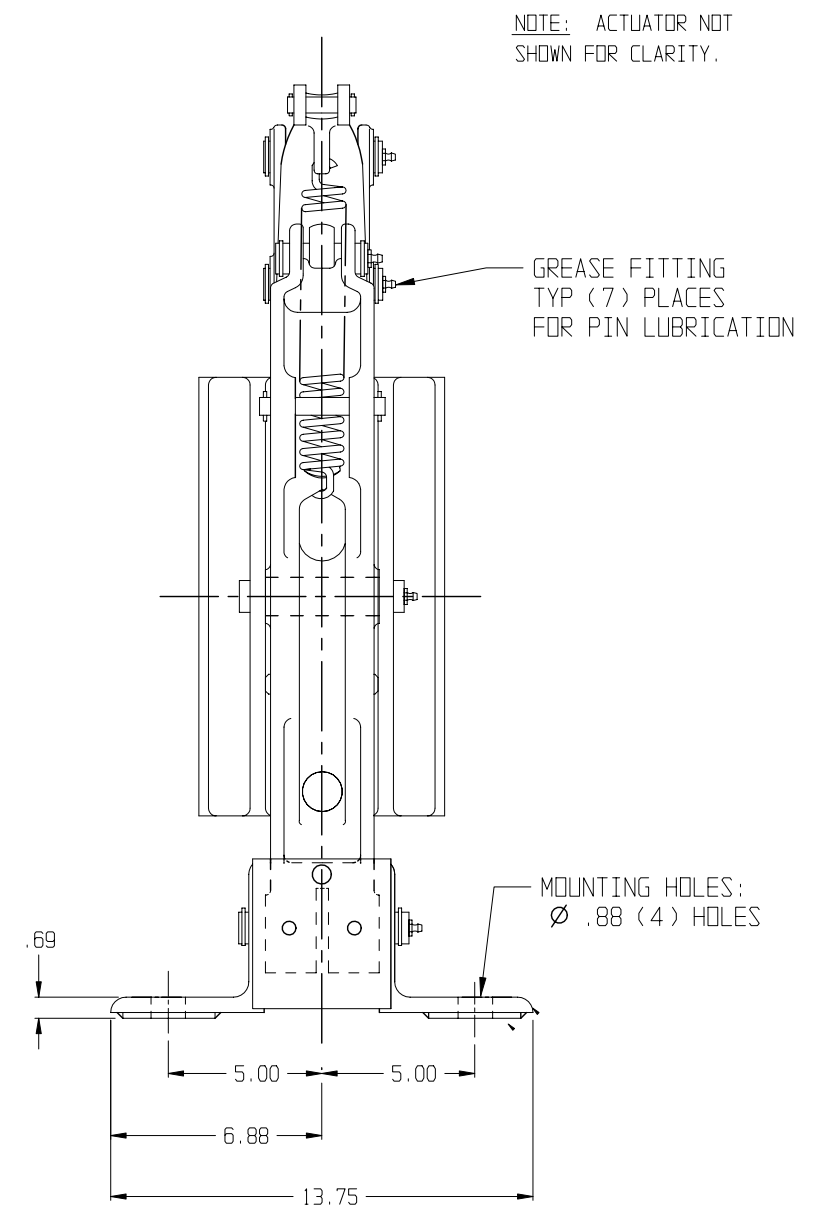
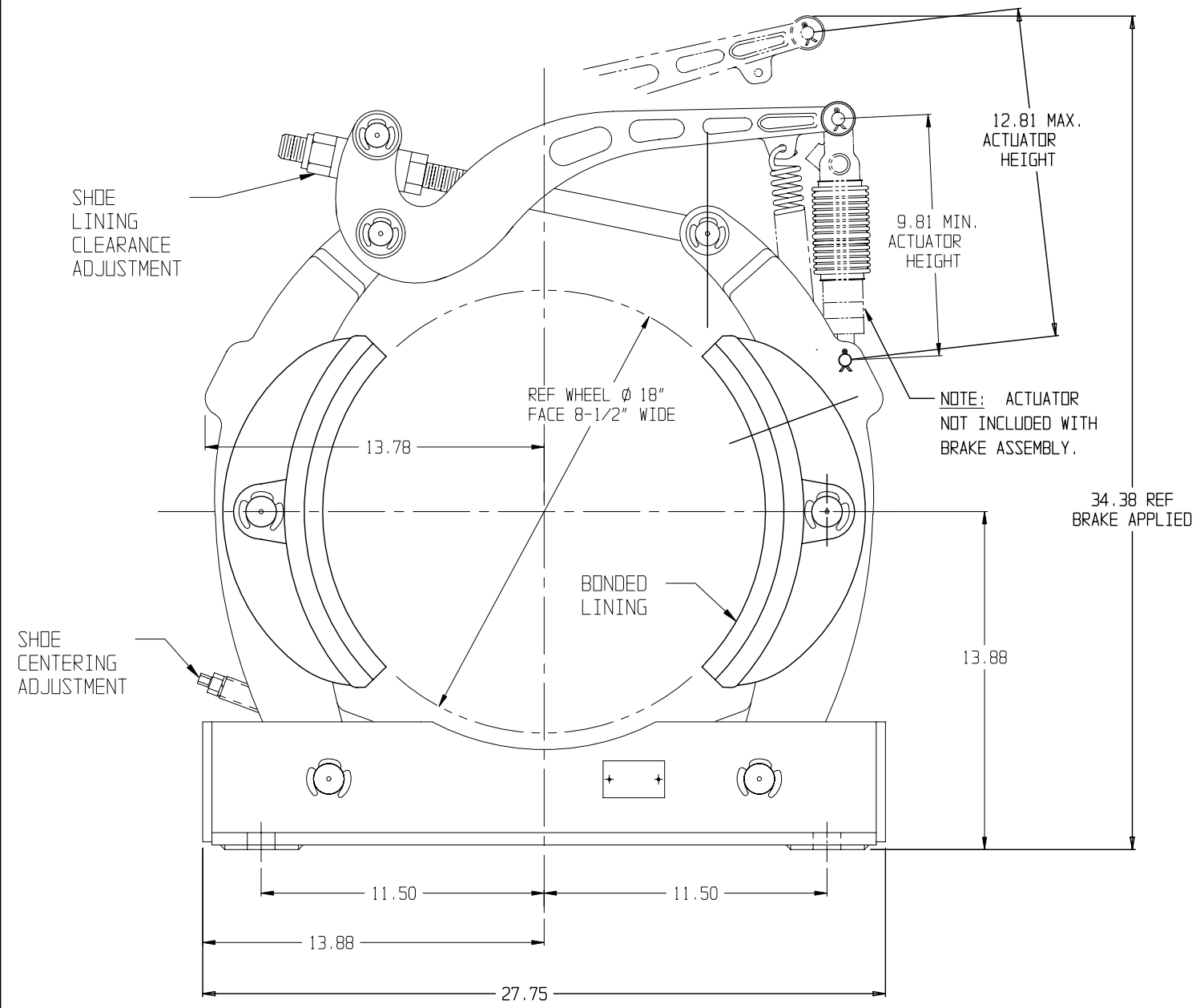


REVISIONS			
REV	DESCRIPTION	DATE	BY



- NOTES:
- BRAKE WEIGHT W/D WHEEL: 266 LBS.
 - FINISH: GRAY PRIMER.
 - DIMENSIONS ARE APPROXIMATE UNLESS OTHERWISE NOTED.

THIRD ANGLE PROJECTION 	This drawing or material is submitted to you in trust and confidence and is understood that the material shall never be used in any manner detrimental to our company. PATRIOT Sensors & Controls Corporation 6380 BROCKWAY ROAD PECK, MICHIGAN 48466	DR. AMB	TITLE	
		DATE 6/28/95	DIMENSION DRAWING	
		DATE	18" BRAKE	
		SCALE	TYPE H J002932	
		1/4	DRAWING NO.	REV.
			PD-0071200	C
		F.D. NO. 8070	S.D. NO.	