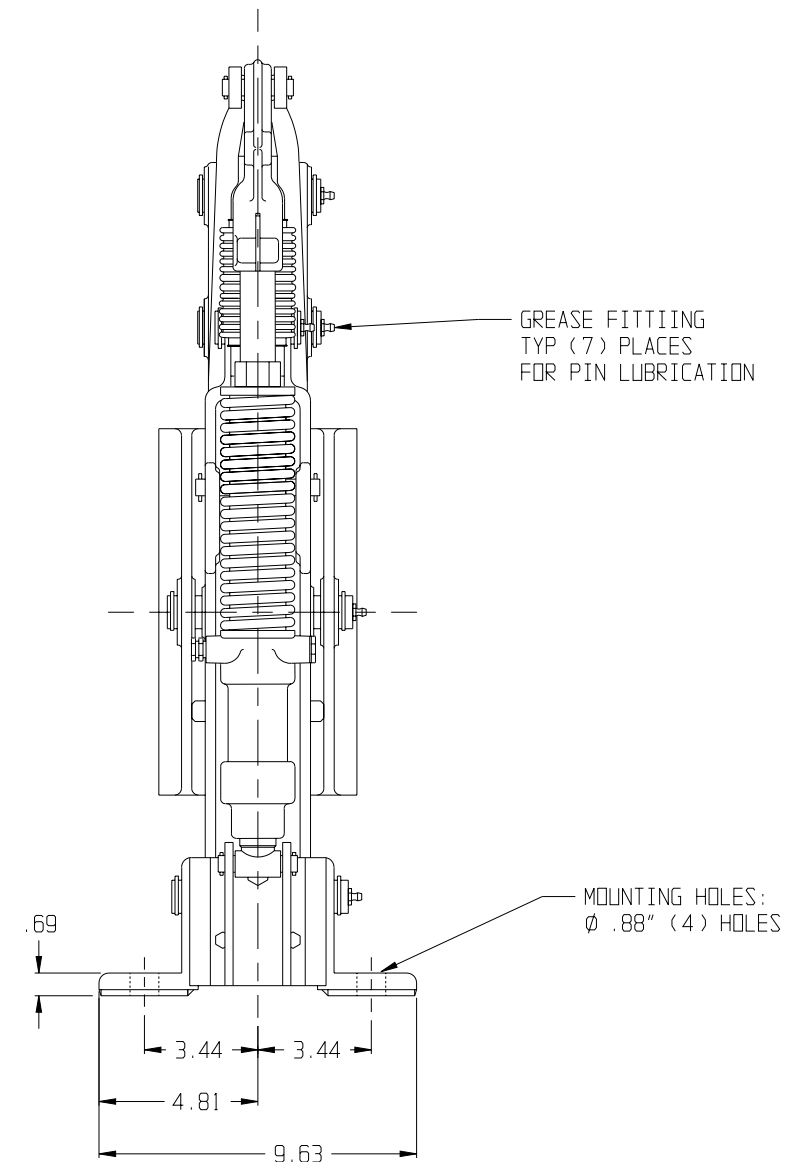
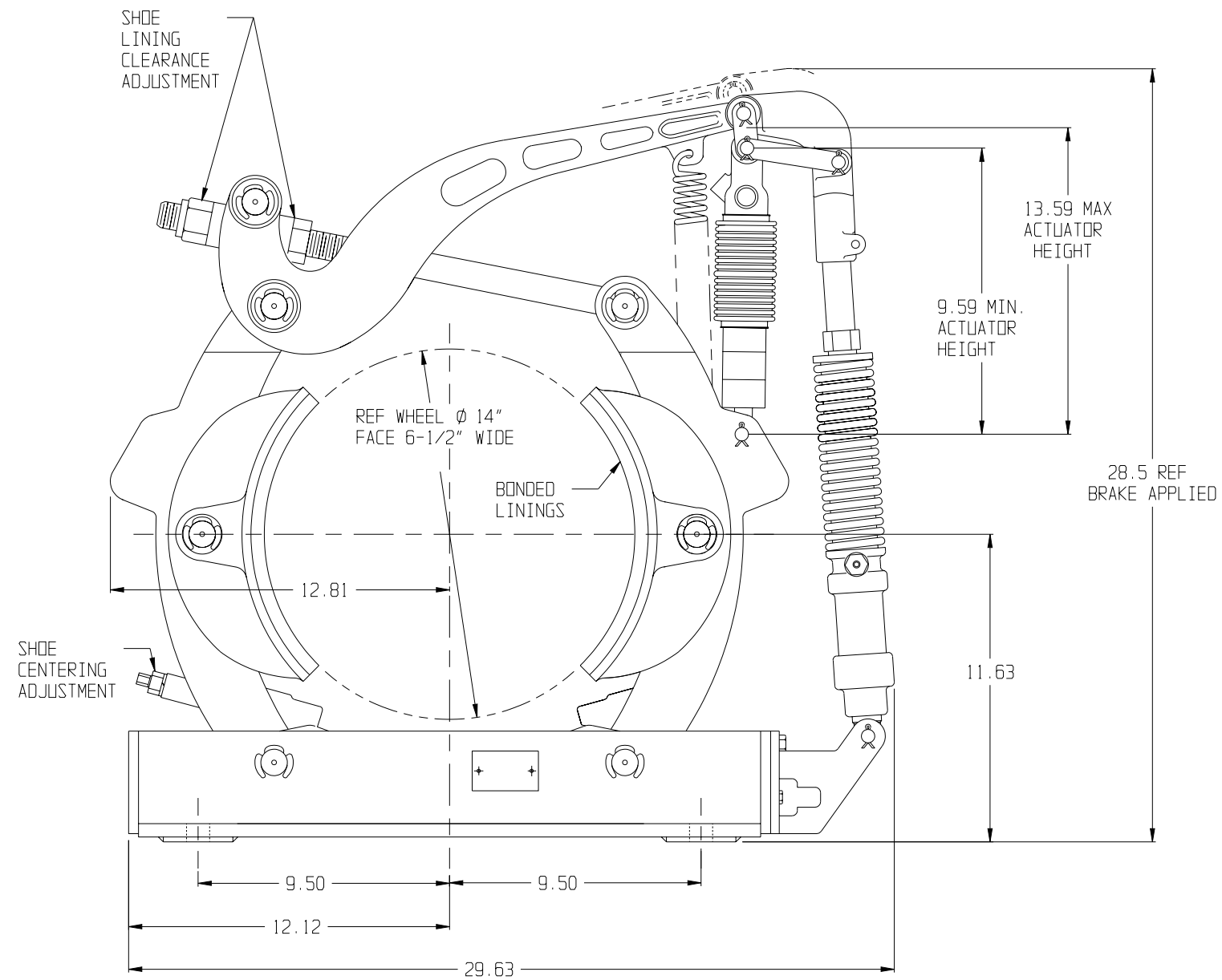


REVISIONS			
REV	DESCRIPTION	DATE	BY



NOTES:

- BRAKE WEIGHT W/O WHEEL: 180 LBS.
- FINISH: GRAY PRIMER.
- DIMENSIONS ARE APPROXIMATE UNLESS OTHERWISE NOTED.

THIRD ANGLE PROJECTION		This drawing or material is submitted to you in trust and confidence and is understood that the material shall never be used in any manner detrimental to our company.		DR. AMB	TITLE	
				DATE 6/28/95	DIMENSION DRAWING	
				APP.	14" BRAKE	
				DATE	TYPE HM J034735	
				SCALE 1/4	DRAWING NO. PD-0071000	REV. <input type="checkbox"/>
					SIZE <input type="checkbox"/>	<input type="checkbox"/>
				F.O. NO. 8070	S.O. NO.	
TOLERANCE ALLOWANCE UNLESS SPECIFIED		<b>PATRIOT</b> Sensors & Controls Corporation 6380 BROCKWAY ROAD PECK, MICHIGAN 48466				